

DeltaSol® Pool

rosenthal design 

The new system controller for solar swimming pool heating

The RESOL DeltaSol® Pool is a controller for heating a swimming pool by means of solar collectors and optimized operation of the filter system. Backup heating of the swimming pool is varied according to solar power and pool demand, thus saving expensive energy. Furthermore, the controller is equipped with a function control which shows whether the system runs faultlessly or if there is an error.

The controller has many additional pool functions such as: additional filter runtime, maximum limitation of flow temperature and a flushing function.

The DeltaSol® Pool can easily be connected to other modules via the RESOL VBus®.

RESOL DeltaSol® Pool

Heating and swimming pool controller for swimming pool heating

Article-no.: 115 661 77

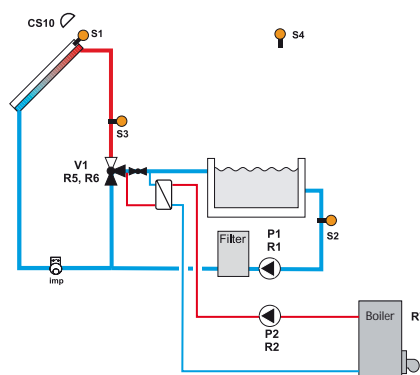
RESOL DeltaSol® Pool - Full kit

Heating and swimming pool controller for swimming pool heating incl. 3 Pt1000 sensors (1 x FKP6, 2 x FRP6)

Article-no.: 115 661 87

- Controller for heating a swimming pool by means of solar collectors and optimized operation of the filter system
- Solar operating hours counter and energy metering
- 13 sensor inputs
- 7 relay outputs
- Function control
- RESOL VBus®

The controller can be branded with your own logo. Please contact our sales team.



Accessory

RESOL SP10

Overvoltage protection device placed in housing with outstanding design, suitable for mounting outdoors. We generally recommend installing the overvoltage protection in order to avoid overvoltage damage at collector sensors, e.g. caused by local lightning storms.

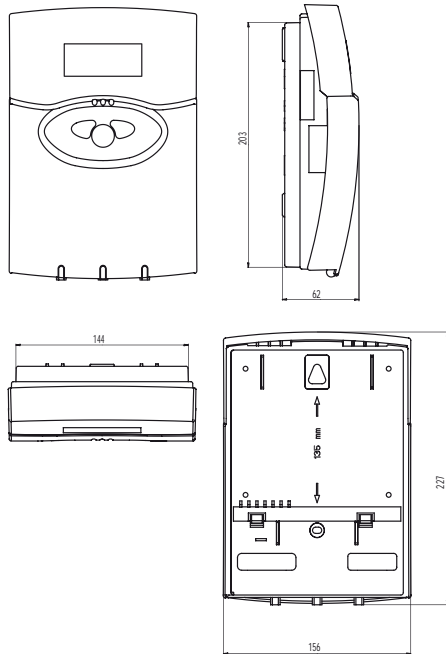


RESOL SP10

Sensor-overvoltage protection

Article-no.: 180 110 70

Technical data



Housing: plastic, PC-ABS and PMMA

Protection type: IP 20/DIN 40050

Ambient temperature: 32 ... 104 °F

Dimensions: 156 x 227 x 62 mm

Mounting:

wall mounting, mounting into patch panels is possible

Display: 4-line LCD text display

Operation: 3 push buttons at the front

Functions: controller for heating a swimming pool by means of solar collectors and optimized operation of the filter system. Add-on backup heating of the swimming pool depending on the need and on the power of the solar collectors.

Solar loading: When the collector temperature is by an adjusted value higher than the pool temperature, solar loading starts. If the difference between flow and pool falls below a certain value, or if the maximum temperature is reached, solar loading is stopped.

Sensor inputs: 10 sensor inputs for Pt1000, 1 x CS10, 1 x IMP and 1 digital input

Relay output: 7 relay output, 1 of them floating

Bus: VBus®

Power supply: 115V~

Switching capacity:

2 (1) A 115V~ (standard relay)

4 (2) A 115V~ (dry contact relay)



Rapid maintenance



Uncomplicated operation and control

Electrical connection

